



PART No. C2F196323

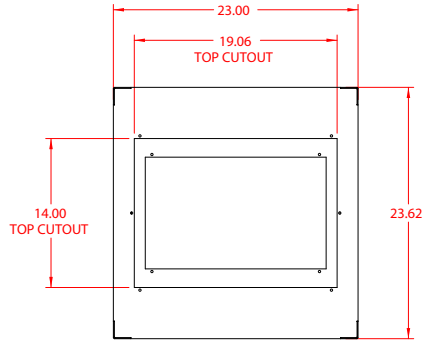
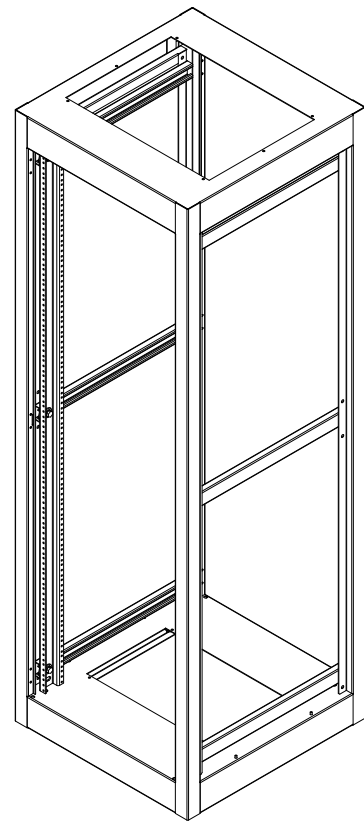
for more information visit

www.hammfg.com

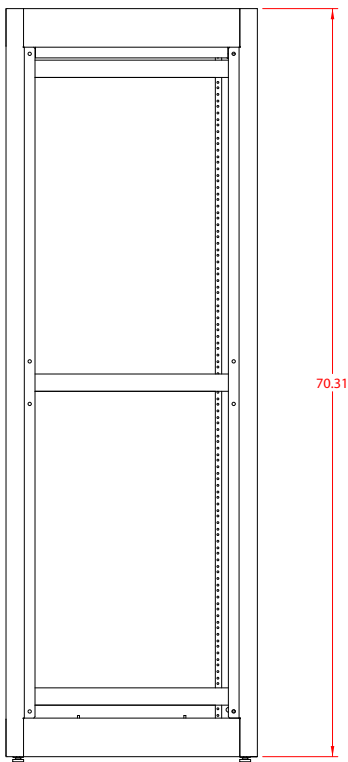
Data subject to change without notice

Isometric drawing not to scale

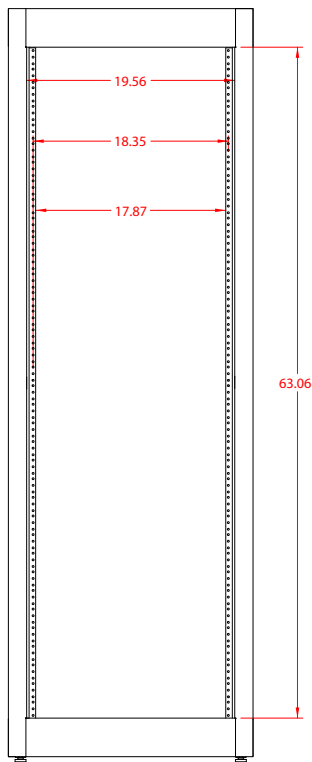
CCR TAPPED RAILS NOT INCLUDED



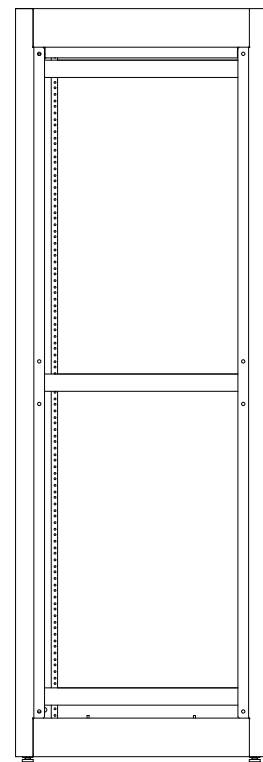
TOP VIEW



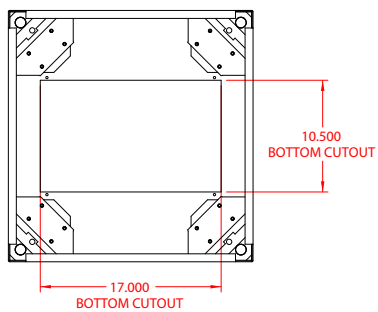
L.S. VIEW



FRONT VIEW



R.S. VIEW



BOTTOM VIEW